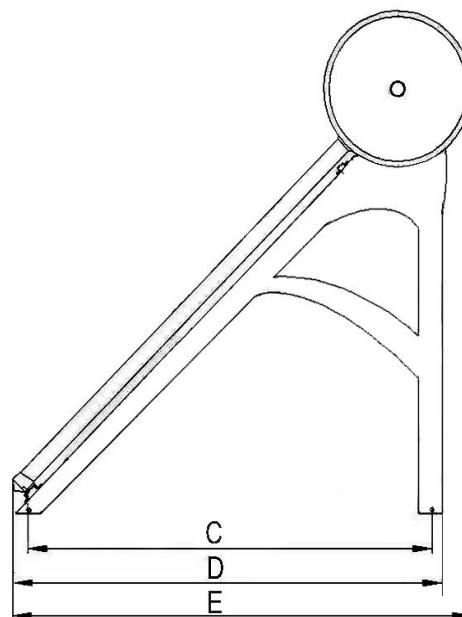
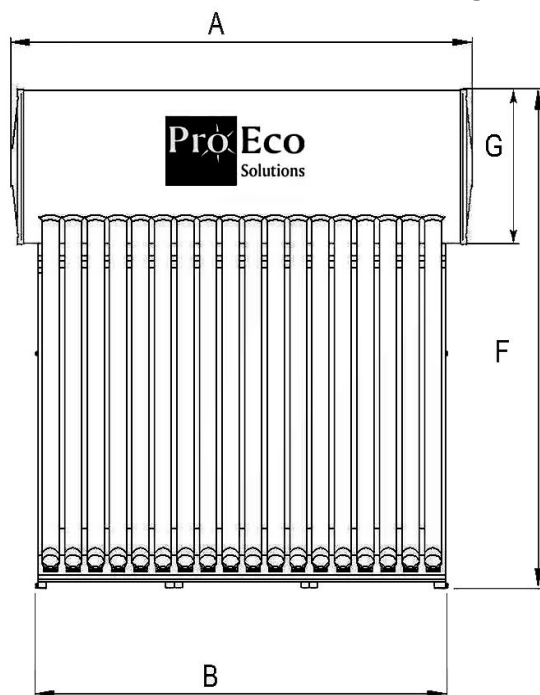


Dimensions and weights of water heaters PROECO JNYL-series



Heater Model	JNYL-100	JNYL-150	JNYL-200	JNYL-240	JNYL-280
A - width of set with tank [cm]	98	136	178	210	242
B - bracket width [cm]	84	122	164	196	228
C - distance from the screws (front-back) [cm]	143	143	143	143	143
D - bracket depth [cm]	155	155	155	155	155
E - overall depth [cm]	162	162	162	162	162
F - height [cm]*	171	171	171	171	171
G - outer diameter of the tank [cm]	47	47	47	47	47

* - the overall height of set will be 35 cm higher if will be installed 5l. assistant tank

Heater Model	Packaging dimensions (cm)	Capacity (m3)	Gross weight (kg)	Net weight (kg)
PROECO JNYL-100		0,42	49	45
Water tank	103x50x50	0,25	14	
Bracket	173x33x11	0,06	15	
Vacuum tubes 10 pcs.	187x34x17	0,11	20	
PROECO JNYL-150		0,56	65	61
Water tank	145x50x50	0,35	19	
Bracket	173x33x11	0,06	16	
Vacuum tubes 15 pcs.	187x34x24	0,15	30	
PROECO JNYL-200		0,74	81	76
Water tank	186x50x50	0,46	24	
Bracket	173x33x11	0,06	17	
Vacuum tubes 10 pcs.	187x34x17	0,11	20	
Vacuum tubes 10 pcs.	187x34x17	0,11	20	
PROECO JNYL-240		0,85	101	94
Water tank	218x50x50	0,54	28	
Bracket	195x33x11	0,07	23	
Vacuum tubes 12 pcs.	187x27x24	0,12	25	
Vacuum tubes 12 pcs.	187x27x24	0,12	25	
PROECO JNYL-280		1	113	105
Water tank	248x50x50	0,62	32	
Bracket	228x33x11	0,08	25	
Vacuum tubes 10 pcs.	187x34x17	0,11	20	
Vacuum tubes 10 pcs.	187x34x17	0,11	20	
Vacuum tubes 8 pcs.	187x28x17	0,08	16	