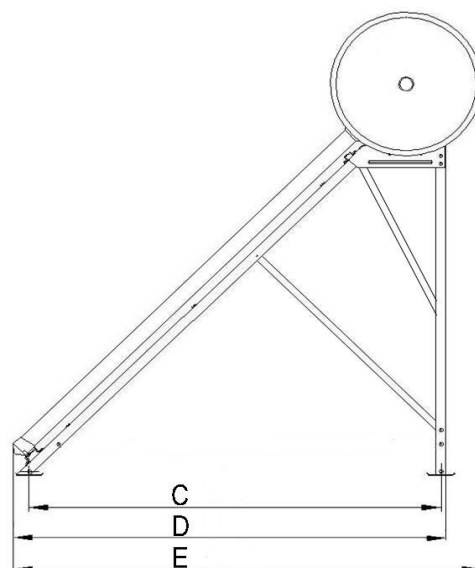
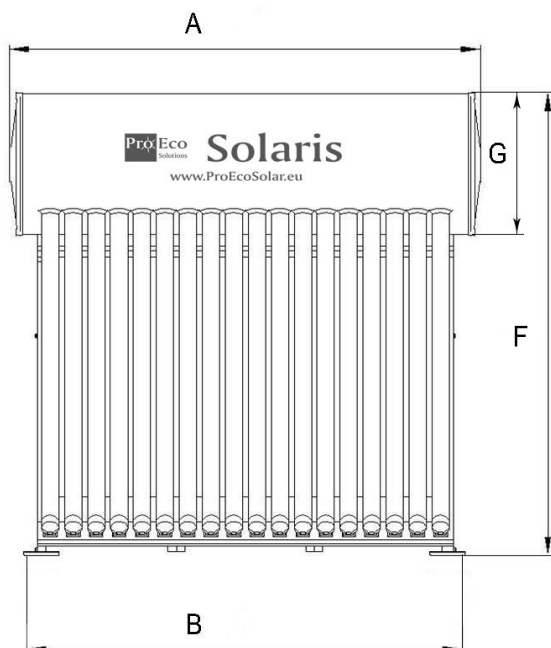


## Dimensions and weights of water heaters PROECO SOLARIS P-series



Heater Model	P-95	P-145	P-190	P-230	P-270
<b>A</b> - width of set with tank [cm]	105	145	185	225	265
<b>B</b> - bracket width [cm]	80	120	160	200	240
<b>C</b> - distance from the screws (front-back) [cm]	175	175	175	175	175
<b>D</b> - bracket depth [cm]	179	179	179	179	179
<b>E</b> - overall depth [cm]	184	184	184	184	184
<b>F</b> - height [cm]	158	158	158	158	158
<b>G</b> - outer diameter of the tank [cm]	47	47	47	47	47

Heater Model	Packaging dimensions (cm)	Capacity (m3)	Gross weight (kg)	Net weight (kg)
<b>SOLARIS P-95</b>		<b>0,46</b>	<b>62,65</b>	<b>58,65</b>
Water tank	107x52x52	0,32	26,8	
Bracket	181x13x14	0,03	9,35	
Vacuum tubes with heat-pipes 10 pcs.	194x34x17	0,11	26,5	
<b>SOLARIS P-145</b>		<b>0,61</b>	<b>83,35</b>	<b>78,35</b>
Water tank	157x52x52	0,43	34,85	
Bracket	181x13x14	0,03	10	
Vacuum tubes with heat-pipes 15 pcs.	194x34x24	0,15	38,5	
<b>SOLARIS P-190</b>		<b>0,79</b>	<b>107,45</b>	<b>100,45</b>
Water tank	198x52x52	0,54	43,55	
Bracket	181x13x14	0,03	10,9	
Vacuum tubes with heat-pipes 10 pcs.	194x34x17	0,11	26,5	
Vacuum tubes with heat-pipes 10 pcs.	194x34x17	0,11	26,5	
<b>SOLARIS P-230</b>		<b>0,94</b>	<b>131,5</b>	<b>123,5</b>
Water tank	237x52x52	0,65	52	
Bracket	181x13x14	0,03	14,5	
Vacuum tubes with heat-pipes 10 pcs.	194x34x17	0,11	26,5	
Vacuum tubes with heat-pipes 15 pcs.	194x34x17	0,15	38,5	
<b>SOLARIS P-270</b>		<b>0,99</b>	<b>153,05</b>	<b>114,05</b>
Water tank	241x52x52	0,66	60,65	
Bracket	181x13x14	0,03	15,4	
Vacuum tubes with heat-pipes 15 pcs.	194x34x24	0,15	38,5	
Vacuum tubes with heat-pipes 15 pcs.	194x34x24	0,15	38,5	